

Sliding Enclosures

MSS 19" Sliding Enclosure

Product Details:

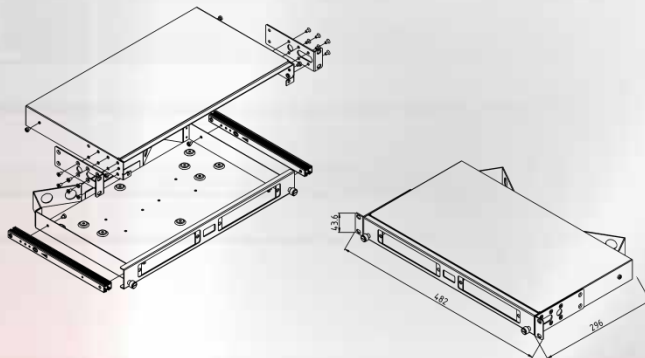
The MSS 19" rack mount sliding enclosures offer the installer a premium product with a variety of features for easy direct termination or fusion splicing of cables due to its unique sliding tray system.

Its modular design provides the flexibility to choose from a variety of thru-adaptor types including ST, SC, FC, LC and MTRJ.

Splice cassettes are easily fitted via pre-installed mountings and the sliding tray allows technicians easy access back into the enclosure after installation for repairs and maintenance.



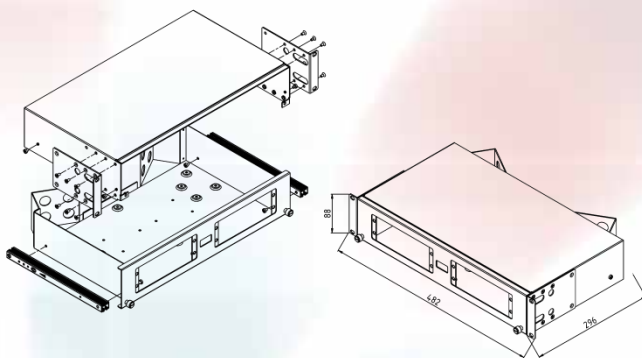
MSS-1RU-S-24MOD	
Size	43.6mmH x 482mmW x 269mmD
Coupler Panels	2
Colour	Grey
Material	Steel
Weight	3.30 Kg



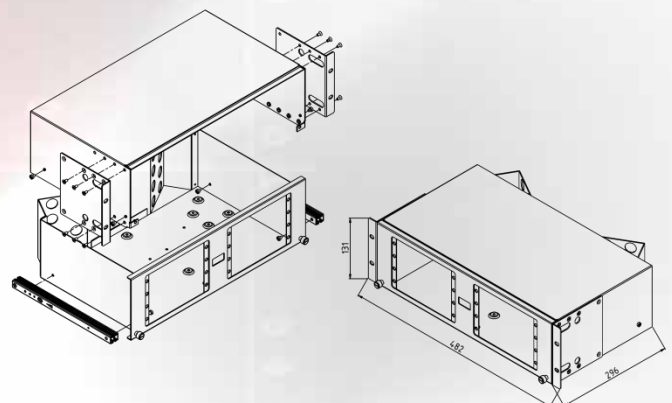
Features:

- Tough and Durable steel design
- Supports a wide range of splice cassettes
- Utilises modular coupler panels to suit your connector type (see coupler panels)
- Quality 2 stage sliding mechanism
- Accommodates up to 96 fibres depending on selected enclosure
- Adjustable mounting brackets
- Angled rear cable mounts
- Comes with M20 gland, strength clamp and cable management clips.

MSS-2RU-S-48MOD	
Size	88mmH x 482mmW x 269mmD
Coupler Panels	2
Colour	Grey
Material	Steel
Weight	4.55 Kg



MSS-3RU-S-96MOD	
Size	131mmH x 482mmW x 269mmD
Coupler Panels	2
Colour	Grey
Material	Steel
Weight	5.50 Kg



Ordering Information:

Product Code	Description
MSS-1RU-S-24MOD	1RU Sliding - Modular 2 Panel up to 24 fibre
MSS-2RU-S-48MOD	2RU Sliding - Modular 4 Panel up to 48 fibre
MSS-3RU-S-96MOD	3RU Sliding - Modular 8 Panel up to 96 fibre